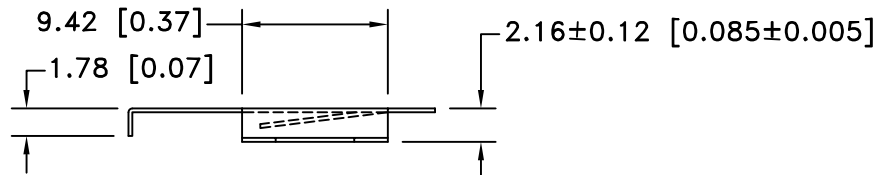
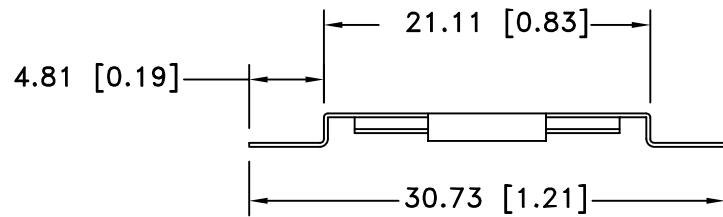
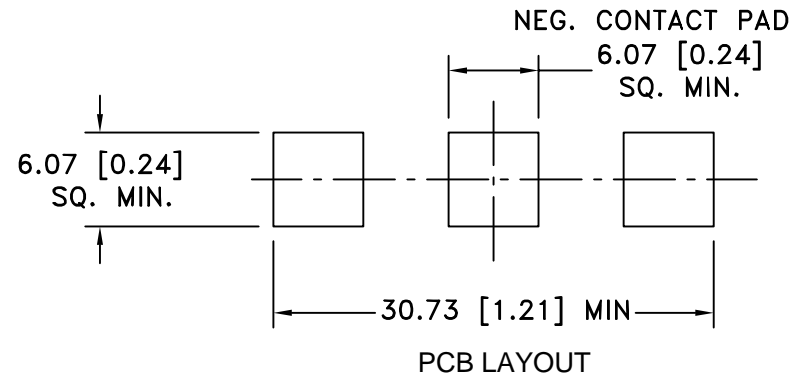
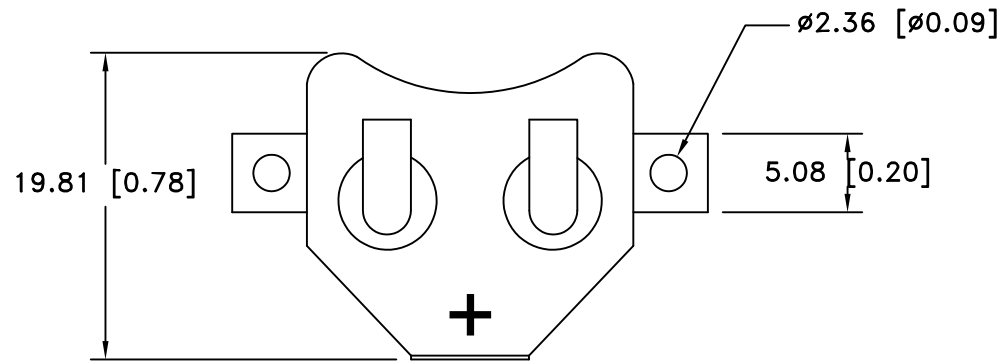



Date	SYM	REVISION RECORD	AUTH	DR.	CK.
1/21/06	A	ADDED "ROHS COMPLIANT"	T.B.	B.S.	
10/10/08	B	UPDATED PCB LAYOUT	T.B.	B.S.	



NOTES:

- MATERIAL:  
0.25mm PHOSPHOR BRONZE, NICKLE PLTD.
- ROHS COMPLIANT

Tolerance (Except as noted)	 <b>Memory Protection Devices, Inc</b> 200 Broad Hollow Road, Farmingdale, New York 11735		
decimal $\pm .5$ (.020)	Scale	Drawn By B.S.	
Fractional $\pm .8$ (.030)	Title COIN CELL RETAINER FOR 20mm DIA. BATTERIES		
Angular $\pm 3^\circ$	Date 10/10/08	Drawing Number BK-5067	

CELL SIZE	RETAINS BATTERY NUMBERS
20mm	BR2016, CR2016, DL2016